

APM1500

ADJUSTABLE PENDANT MOUNT

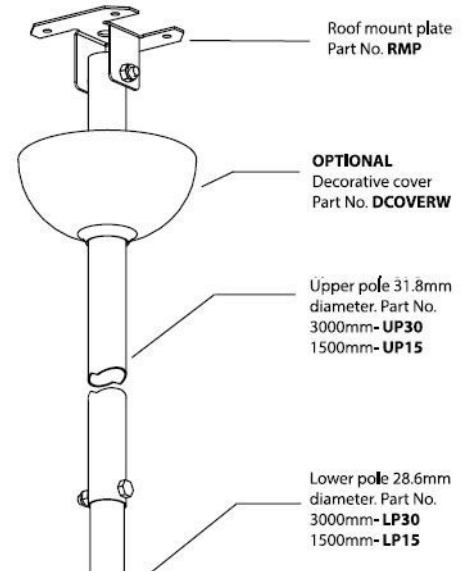
Adjustable dropper pole, pendant mounted bracket

The APM1500 is design to adjust from 1550-2700mm in length and provides an easy installation with its light-weight material and versatile installation method.

The APM1500 is shorter in adjustable length the APM3000 and provides increased durability due to the rigid roof mount plate that is provided.

This bracket can suit any small—large domes and accommodating camera mounting kits range from 80mm in diameter to 160mm. There is also 3 available colours; ceiling white (cream), Manix white and Manix black.

APM1500 & 3000



OPTIONS

Various colours, and custom colours available. Individual poles can be purchased with the code FPM1500.

APPLICATIONS

Retail stores, grocery stores, warehouses and internal build-ings where cameras are needed above tills.

SPECIFICATIONS

CONSTRUCTION

0.9mm mild steel

FINISH

Ceiling white, manix white or manix black polyester powder coat

LENS

N/A

ACCESS

N/A

CABLE ENTRY

Through brackets and poles

MAX CAMERA SIZE

Not limited, weight load bearing 10kg (including camera)

WEIGHT

3.45Kg

PART NUMBER

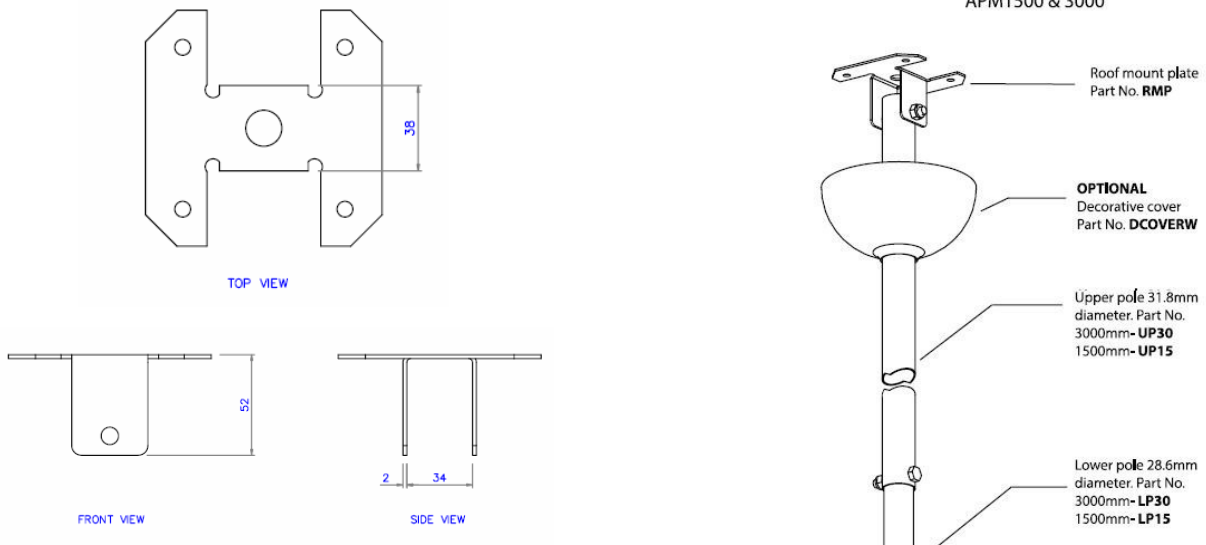
DESCRIPTION

APM1500-B	Adjustable Pendant Mount—Black
APM1500-CW	Adjustable Pendant Mount—Ceiling White
APM1500-MW	Adjustable Pendant Mount—Manix White
FPM1500-CW	Fixed Pendant Mount—Ceiling White
FPM1500-MW	Fixed Pendant Mount—Manix White

APM1500

ADJUSTABLE PENDANT MOUNT

DIMENSIONS



INSTALLATION SUPPORT

This bracket is designed to provide the installer with the ability to install over multiple stages with ease.

It is suggested that the required amount of fixings should withstand up to 10kg of weight. Additionally the choice of fixing should depend on the type of ceiling or fixture it is being mounted on.

The bracket offers 2.7m of safe adjustable length, and can be installed in three stages (RMP, Outer Pole, Inner adjusting Pole)

Camera mounting kits for APM series are an extra item and are sold separately.

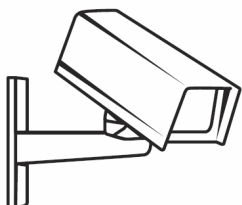
These Kits include: (measurement not limited to that size—giver or take 10-20mm per kit)

D2000-Kit (120mm cameras)

SNV-5084 Kit (160mm cameras)

SEQAN Kit (90mm cameras)

AV8365 Kit (140mm cameras)



see
SECURITY
SECURITY EQUIPMENT & ENCLOSURES

For contact support on this SEE housing **contact: 07 3841 4255**

For See Security's extensive range of brackets visit:

www.seecurity.com.au