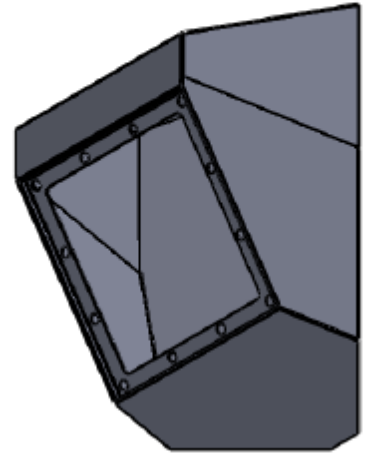


CMH02WPEX AHS

OUTDOOR CORRECTIONAL SERVICES HOUSING



Corner mount security enclosure

The CMH02WPEX AHS is designed for Correctional Centre applications. Featuring a rugged construction, tamper resistance and with no centre projections, this enclosure limits self harm and prevents any hiding of contraband in courtyards and outdoors.

The CMH02WPEX AHS is a larger model of the CMH02WP to allow for larger camera and lens combinations, whilst still taking up less space than other units. It also integrates the Anti-hang shroud to increase ease of installation.

This housing is designed for larger camera and lens combinations than the smaller CMH02WP

OPTIONS

All housings are supplied with adjustable camera mounts. Tamper switches and PTZ bracketry are optional extras

APPLICATIONS

Correctional, Juvenile & Psychiatric institutions to be mounted in a corner indoor or outdoor

SPECIFICATIONS

CONSTRUCTION

1.6mm zincanneal

FINISH

Graphite Sarook polyester powder coat (effect)

LENS

6.0mm polycarbonate lens

ACCESS

12 x M6 recessed security screws

CABLE ENTRY

No specific area - installer has freedom of choice when installing

MAX CAMERA SIZE

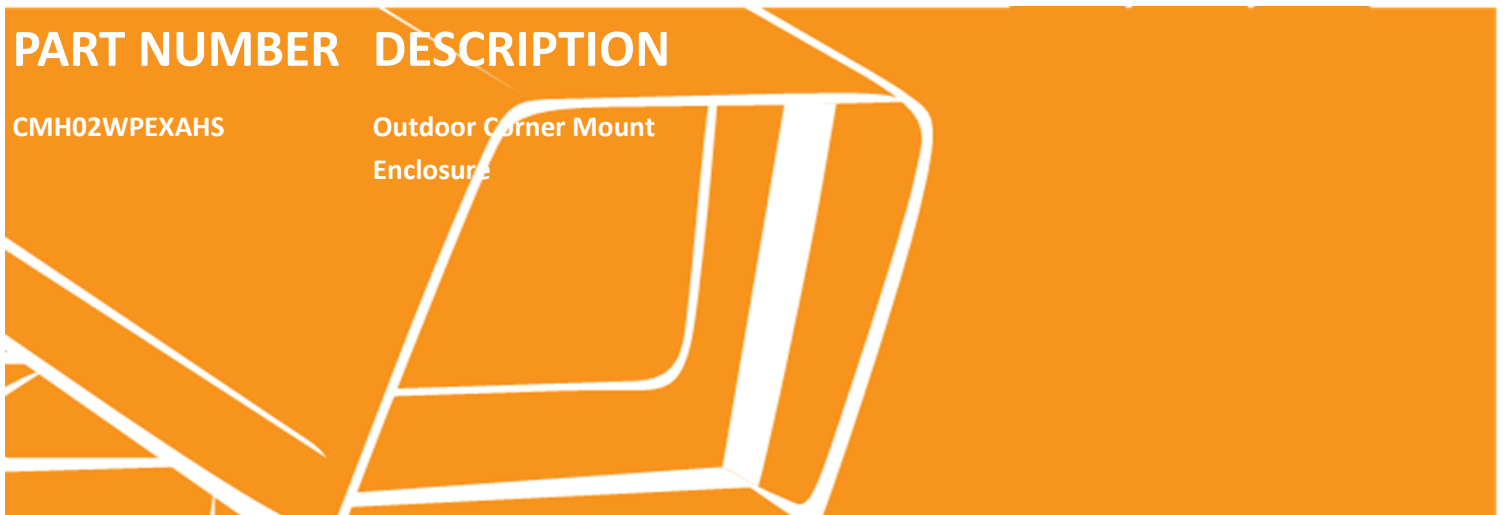
Max lens and camera combination of 230mm

WEIGHT

5.85Kg

PART NUMBER	DESCRIPTION
-------------	-------------

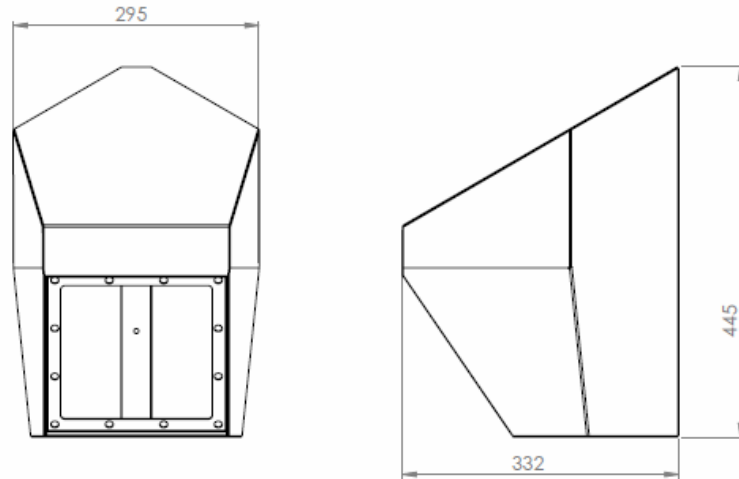
CMH02WPEX AHS	Outdoor Corner Mount Enclosure
---------------	--------------------------------



CMH02WPExAHS

OUTDOOR CORRECTIONAL SERVICES HOUSING

DIMENSIONS



INSTALLATION SUPPORT

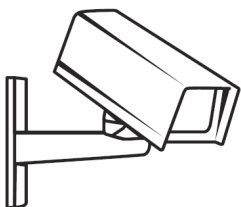
The housing is designed to provide the installer with the flexibility of where the cable enters and exits.

It is suggested that the required amount of fixings should withstand up to 10kg of weight. Additionally the choice of fixing should depend on the type of wall it is being mounted on.

The housing offers 230mm of camera and lens space with sufficient space for any cabling configuration, any cameras that are larger should be discussed with us prior to installation

In order to maintain the housing is anti-ligature, it is suggested that a suitable silicon is used around the full scope of the housing where any section of the housing meets the wall.

In order to maintain the IP66 rating, all fixings and cable holes should be filled with silicon to ensure no ingress of water or insects occurs.



see
SECURITY
SECURITY EQUIPMENT & ENCLOSURES

For contact support on this SEE housing **contact: 07 3841 4255**

For See Security's extensive range of housings visit:

www.seecurity.com.au