

CMH03EX

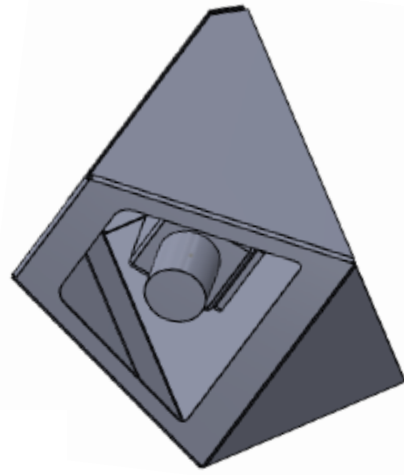
CORRECTIONAL SERVICES HOUSING

Corner mount security enclosure

The CMH03EX is designed for Correctional Centre applications. Featuring a rugged construction, tamper resistance and with no centre projections, this enclosure limits self harm.

The CMH03EX is a larger model of the CMH03 to allow for larger camera and lens combinations, whilst still taking up less space than other units. The CMH03 is suited for all types of holding cells.

This housing is designed for larger camera and lens combinations than the smaller CMH03



OPTIONS

All housings are supplied with adjustable camera mounts. Tamper switches and PTZ bracketry are optional extras

APPLICATIONS

Correctional, Juvenile & Psychiatric institutions to be mounted in a corner

SPECIFICATIONS

CONSTRUCTION

1.6mm zincanneal

FINISH

Graphite Sarook polyester powder coat (effect)

LENS

6.0mm polycarbonate lens

ACCESS

3 x M6 post cap security screws

CABLE ENTRY

No specific area - installer has freedom of choice when installing

MAX CAMERA SIZE

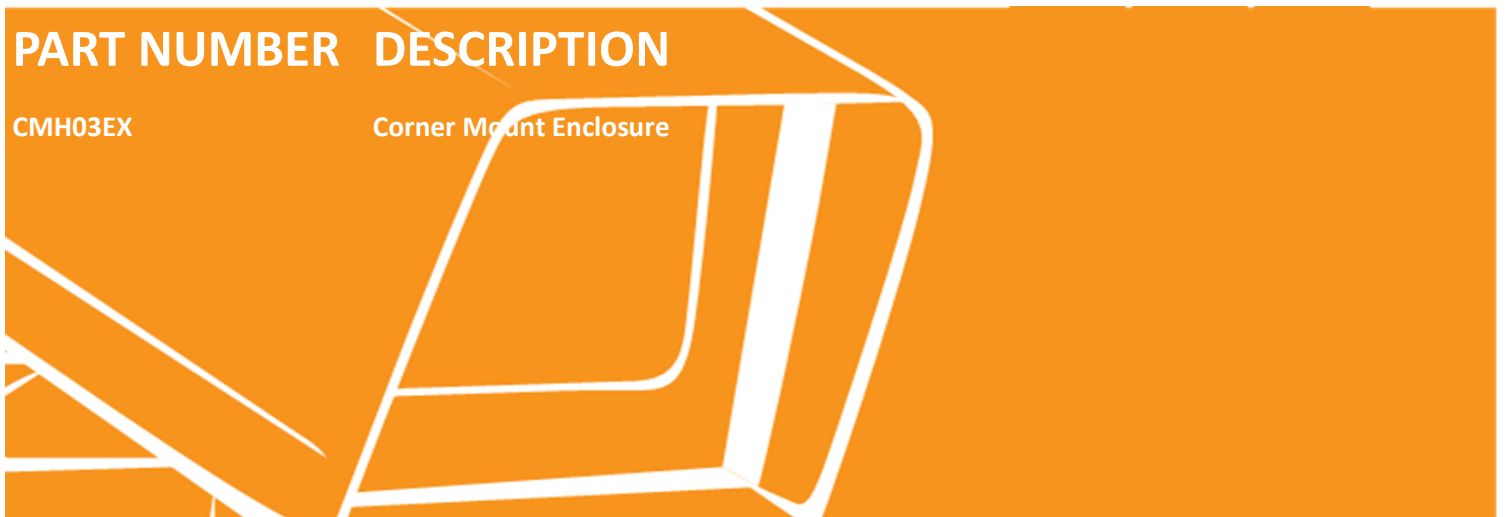
Max lens and camera combination of 230mm

WEIGHT

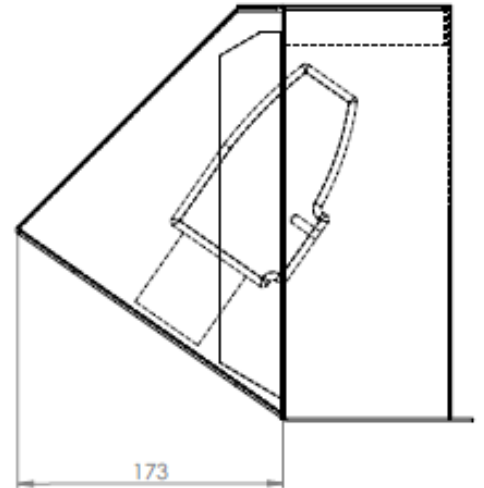
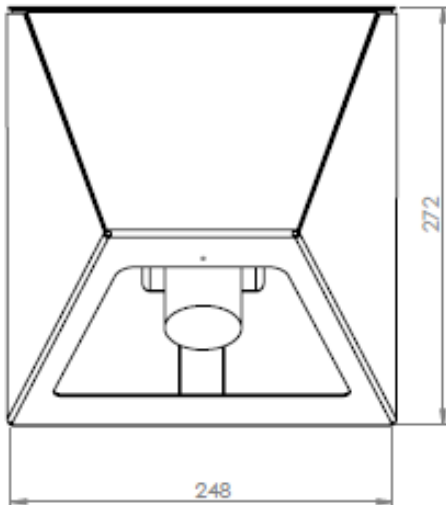
4.85Kg

PART NUMBER	DESCRIPTION
-------------	-------------

CMH03EX	Corner Mount Enclosure
---------	------------------------



DIMENSIONS



INSTALLATION SUPPORT

The housing is designed to provide the installer with the flexibility of where the cable enters and exits.

It is suggested that the required amount of fixings should withstand up to 10kg of weight. Additionally the choice of fixing should depend on the type of wall it is being mounted on.

The housing offers 230mm of camera and lens space with sufficient space for any cabling configuration, any cameras that are larger should be discussed with us prior to installation

In order to maintain the housing is anti-ligature, it is suggested that a suitable silicon is used around the full scope of the housing where and section of the housing meets the wall.

