

LPAR400EXSS

Environmental Housing

IP66 Outdoor camera housing for harsh environments and corrosive applications

The LPAR400EXSS Environmental housing has been designed for 1/4" and 1/3" CCD camera fitted with fixed or zoom lens. Whilst still allowing for a fan unit to sit at the rear of the housing and allow for camera connections.

The LPAR400EXSS comes with a Fan blower unit, an Air Knife for dust deflection and a sunshield for heat deflection as standard. Whilst still providing an easy installation process

This housing is designed for high dust content, high salt content and any mining application where intrinsically safe units ARE NOT needed



OPTIONS

Tamper switch or additional heater is available.

APPLICATIONS

Mines, docks, mineral storages, sea harbours and where high dust and corrosion is possible.

SPECIFICATIONS

CONSTRUCTION

1.2mm 316 marine grade stainless steel

FINISH

Shale grey polyester powder coat

LENS

6.0mm aris edged glass

ELECTRICAL

Fan blower (24VAC, 50HZ 3.2Watts)

ACCESS

2 x 6mm stainless security screws

CABLE ENTRY

3 x 20mm entries, 2 at the base and 1 at the rear of housing

MAX CAMERA SIZE

284mm (L) x 135mm (W) x 120mm (H)

WEIGHT

5.6kg

MECHANICAL

Air knife and pneumatic hose connections (compressed air system)

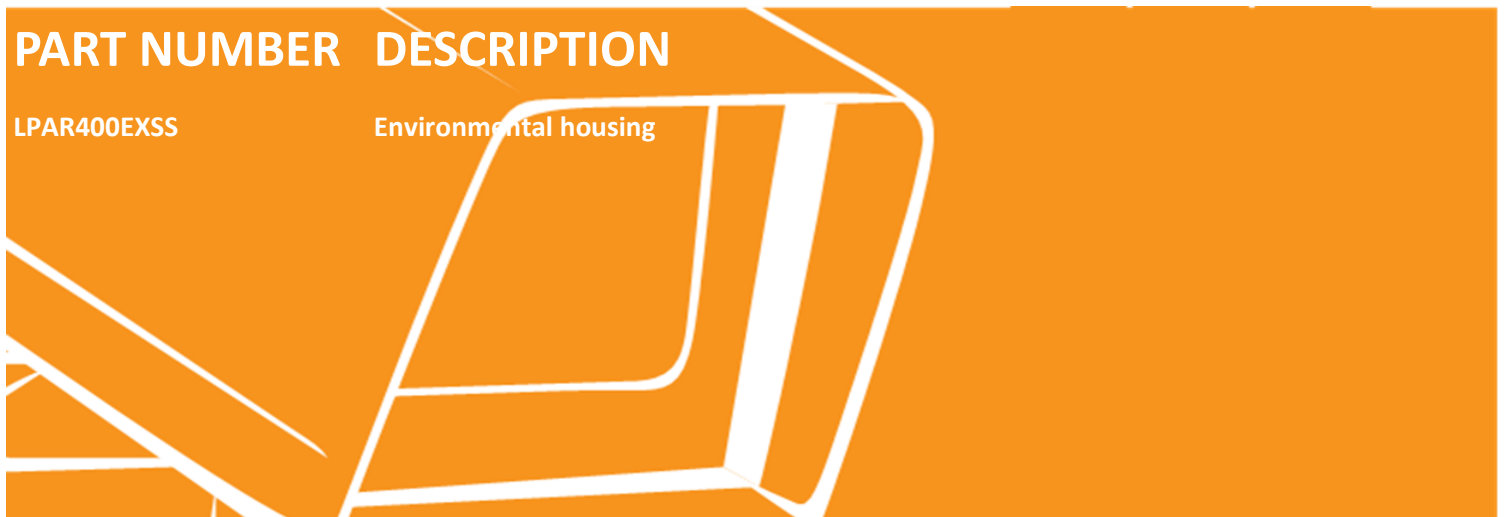
IP RATING

IP66

PART NUMBER DESCRIPTION

LPAR400EXSS

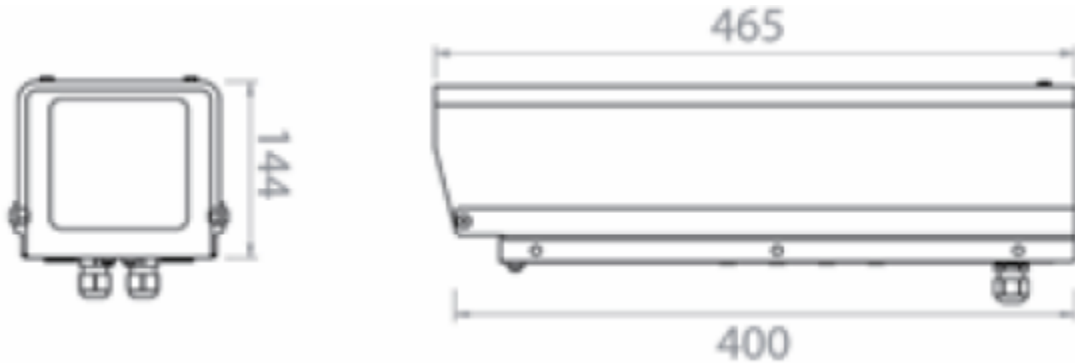
Environmental housing



LPAR400EXSS

ENVIRONMENTAL HOUSING

DIMENSIONS



INSTALLATION SUPPORT

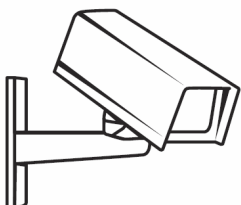
The housing is designed to provide the installer with the flexibility and simplicity for installation.

It is suggested that the required amount of fixings should withstand up to 20kg of weight. Additionally the choice of fixing should depend on the type of bracket or fixing it is fixed to.

The housing offers 284mm of camera and lens space with sufficient space for any cabling configuration, any cameras that are larger should be discussed with us prior to installation.

In order to maintain the housing, it is suggested premium window glass is to be used to clean the lens, and taking care of the gasket is necessary to maintain IP rating.

BRACKETRY GUIDE



see
SECURITY
SECURITY EQUIPMENT & ENCLOSURES

For contact support on this SEE housing **contact: 07 3841 4255**

For See Security's extensive range of housings visit:

www.seesecurity.com.au