

SMW7PMPT-IR

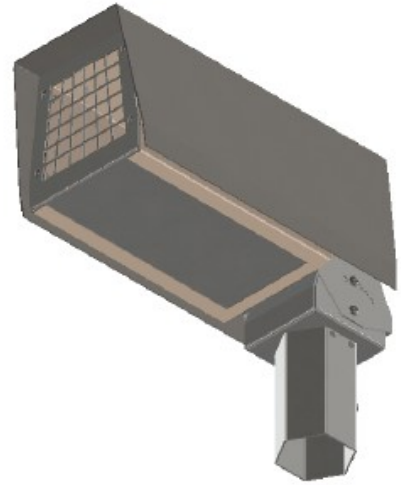
THERMAL IMAGING HOUSING

Pole Mount Pan Tilt Wedge Housing

The SMW7PMPT-IR Pole mount wedge housing has been designed for thermal imaging cameras or large IP66 specialist lens cameras. Featuring a fully stainless construction heavy-duty construction to prevent vandalism and heat absorption.

The SMW7PMPT-IR has sufficient space for large bodied cameras and includes a specialised grill that allows thermal cameras to not be impaired by glass or polycarbonate whilst preventing and small rocks or items to pass through. An included pan tilt mechanism allows for multiple viewing angles

This housing is designed for any application requiring a specialised lens camera that is already IP66



OPTIONS

Fan heater, tamper switch, optic enhanced glass, sunshield and fix tilt are all available

APPLICATIONS

All environments (limited by camera only) where thermal imaging is used

SPECIFICATIONS

CONSTRUCTION

1.6mm, 2.0mm and 2.5mm SS304 stainless steel

FINISH

RAL9007 charcoal/silver polyester powder coat

LENS

High resistance stainless steel (2.5cm approx. spacing)

ACCESS

4 x M6 post cap security screws

CABLE ENTRY

Through rear of housing and Pan Tilt unit

MAX CAMERA SIZE

300mm dependant on body shape

WEIGHT

7.9Kg

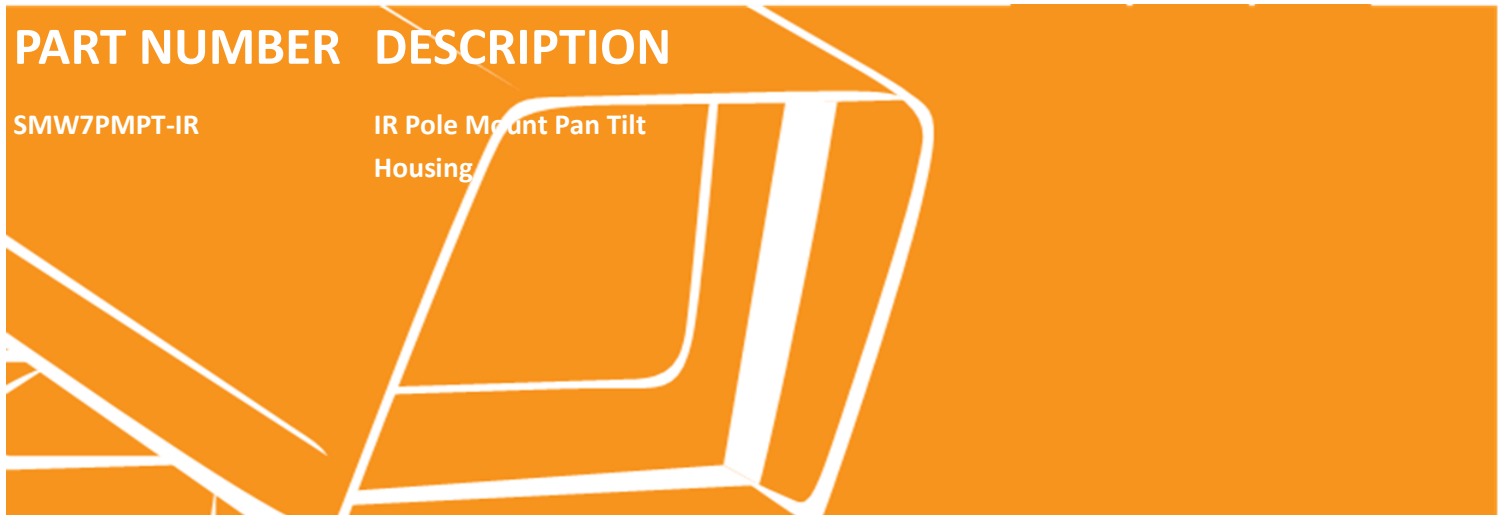
IP RATING

N/A

PART NUMBER DESCRIPTION

SMW7PMPT-IR

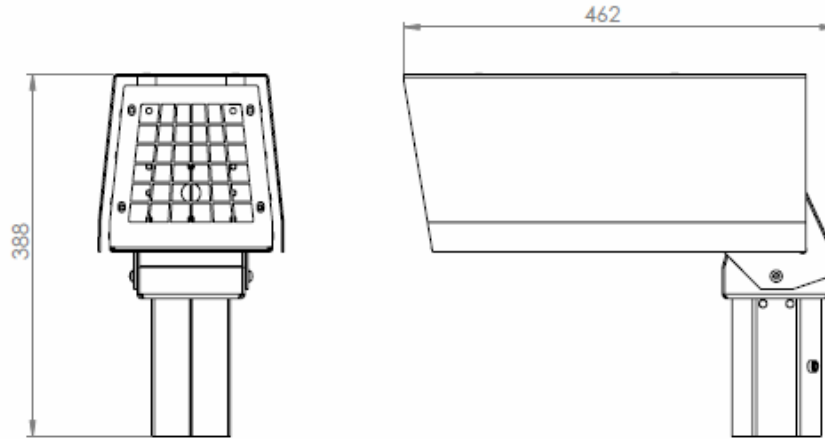
IR Pole Mount Pan Tilt
Housing



SMW7PMPT-IR

THERMAL IMAGING HOUSING

DIMENSIONS

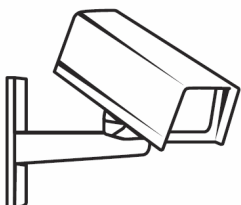


INSTALLATION SUPPORT

The housing is designed to provide the installer with a two part installation process, applying the pan tilt mechanism and the main housing unit on separately with an easy slide action camera mounting plate.

It is suggested that to enhance imaging a sunshield or installation around shaded areas should be utilised.

The housing offers 300mm of camera and lens space with sufficient space for any cabling configuration, any cameras that are larger should be discussed with us prior to installation.



see
SECURITY
SECURITY EQUIPMENT & ENCLOSURES

For contact support on this SEE housing **contact: 07 3841 4255**

For See Security's extensive range of housings visit:

www.seesecurity.com.au